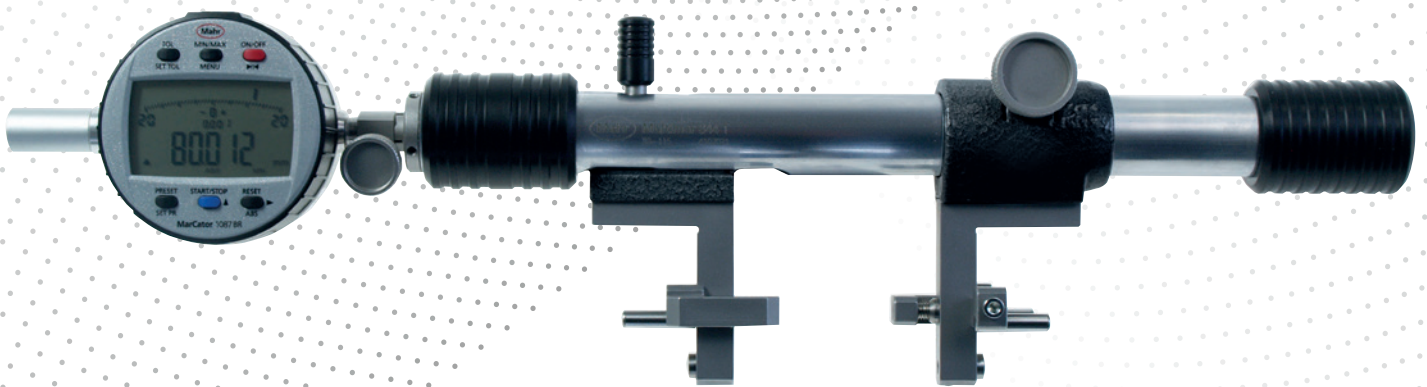


## Multimar | Universal Measuring Instruments

Whether you are measuring gears, threads, cones or grooves, Multimar universal measuring instruments are an ideal solution for almost all internal and external measurements for which standard measuring instruments are unsuitable. A choice of basic units and an extensive range of accessories are available.



## Multimar | Universal Gage 844 T for External and Internal Dimensions

The Universal Gage Multimar 844 T is easy to use and versatile; ideal for all your measuring requirements in dimensional metrology.

### Applications

- For measuring
- External and internal dimensions
- External and internal threads
- Centering shoulders, narrow collars, recesses and grooves
- External and internal tapers, external and internal tooth profiles/gears, etc.



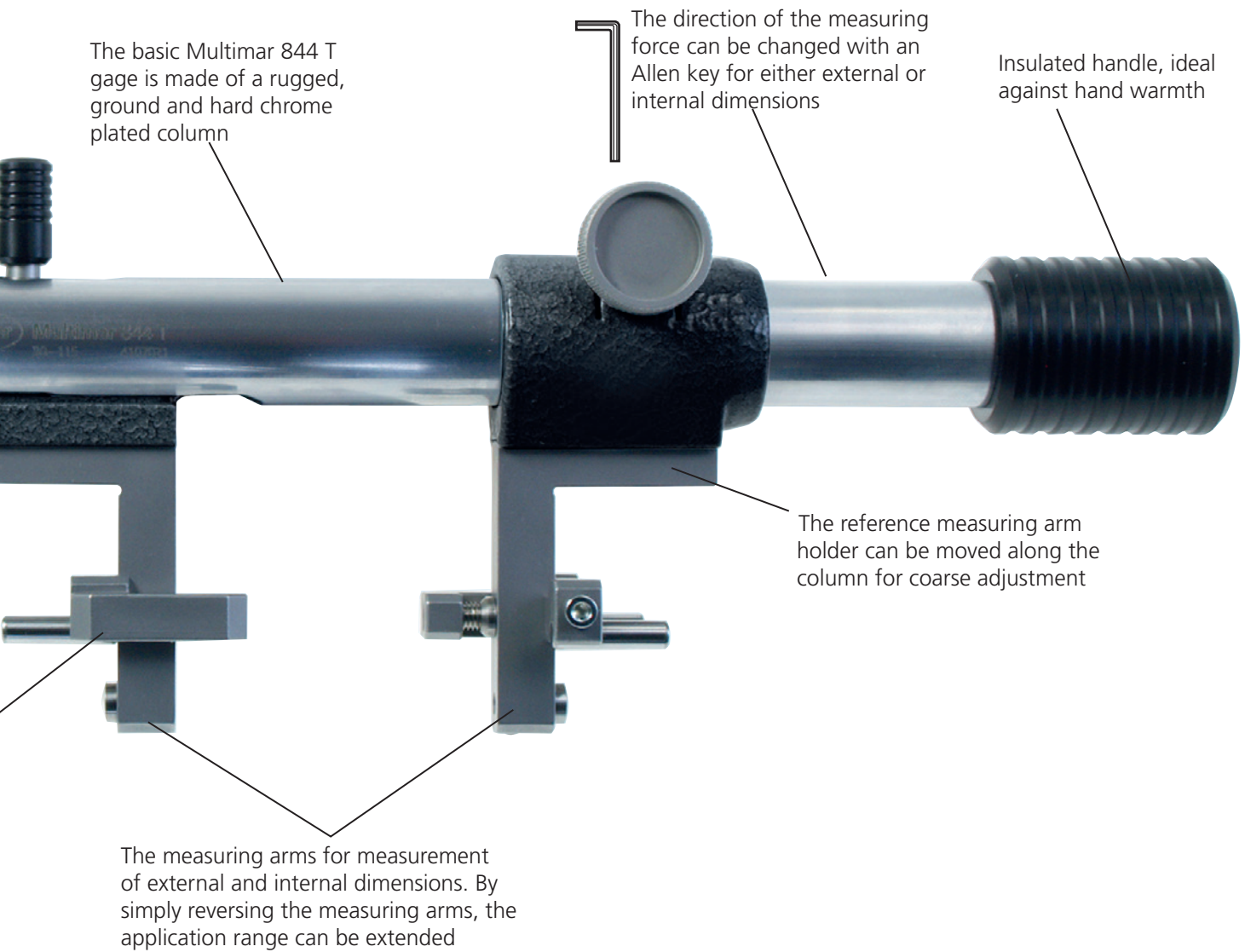
Constant measuring force due to built-in measuring force spring

All indicating instruments with an 8 mm mounting shank are applicable



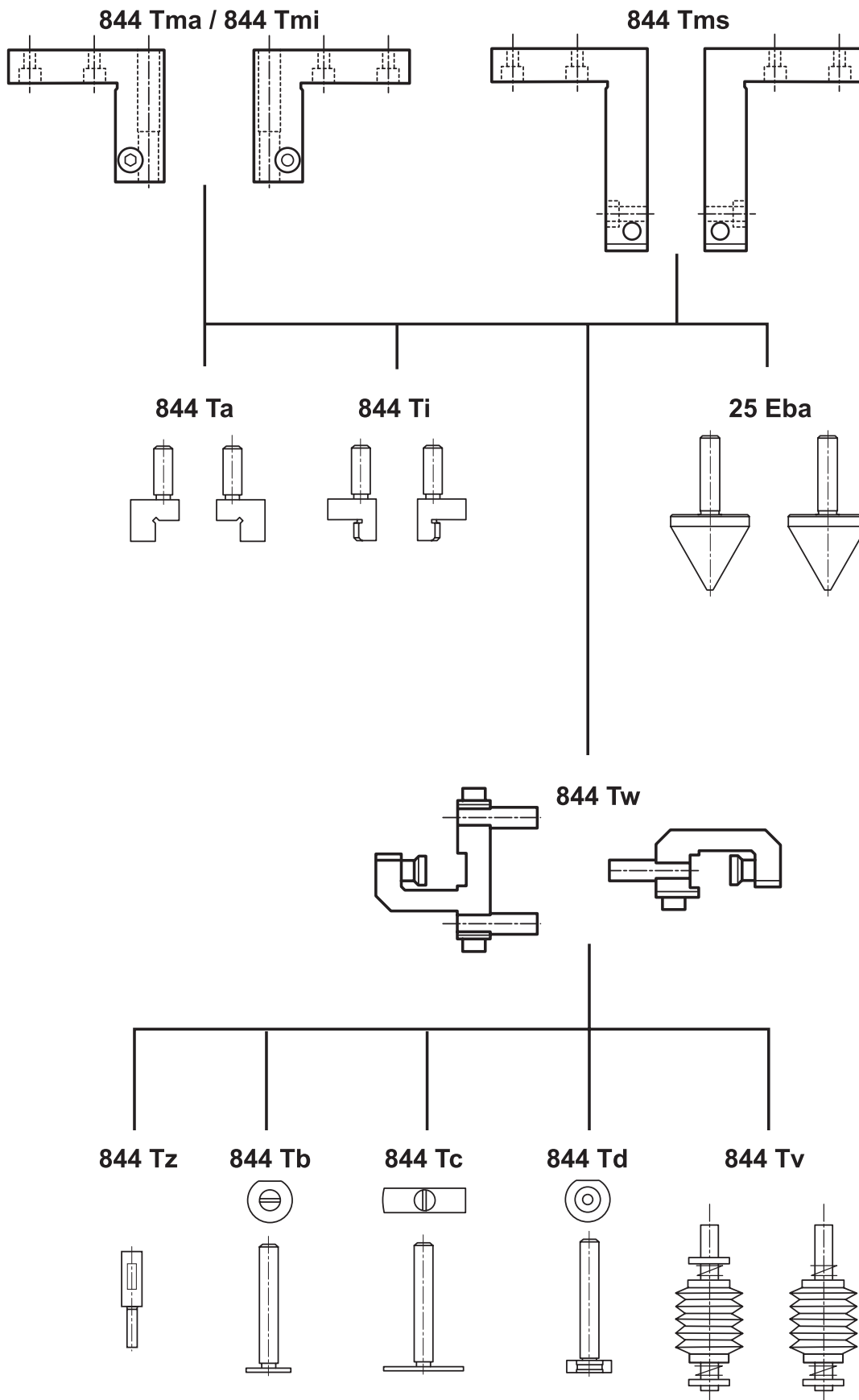
The movable measuring arm holder is mounted on a high precision ball guide to eliminate both play and friction; it also has extreme measuring sensitivity and accuracy due to optimal stability and ease of movement

Stop with non-tilting 3-point support for adjusting the measuring depth



# Multimar 844 T

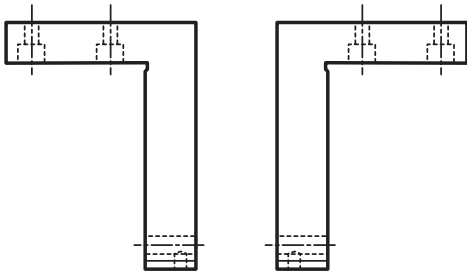
Universal Gage



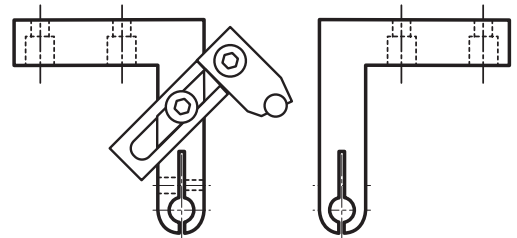
# Multimar 844 T

Universal Gage

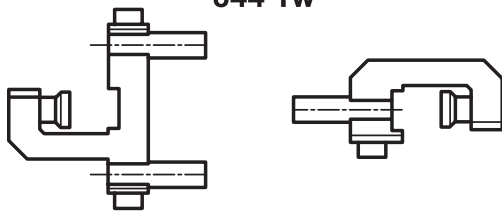
844 Te



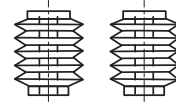
844 Ty



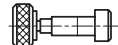
844 Tw



706 Vr



844 Tad



844 Tp



901 H



906 H



844 Ts



902 H



907



844 Tk



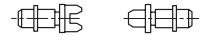
903 H



908



844 Tr



904 H



911 H



844 Tg



912

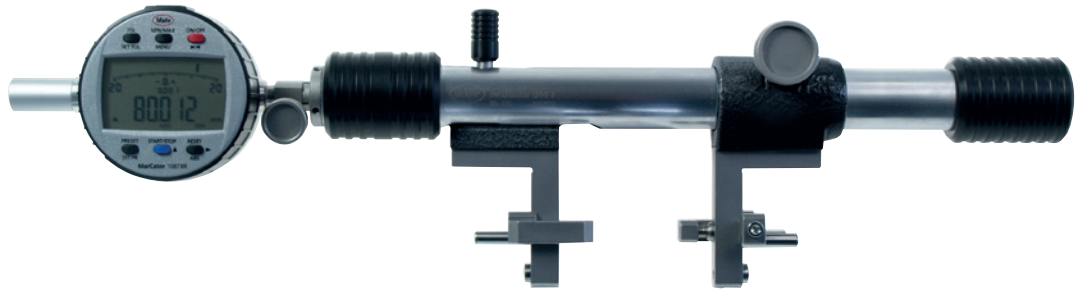


# Multimar 844 T

## Universal Measuring Instrument

### FEATURES

- For easy adaptation to individual measuring tasks, optional accessories include:
  - Interchangeable measuring arms
  - Contact blocks
  - Stop elements
- The movable measuring arm carrier is mounted on a high precision ball bearing guide for reduced play and friction
  - Results in high measuring sensitivity, accuracy and free movement
- Stable support elements for repeatable measurements
- Constant measuring force with integrated measuring force spring
- Reversible measuring force direction for outside and inside measurement
- Highly stable, precision ground, hard chrome plated guide tube
- Lightweight construction with core made from carbon fiber reinforced plastic (CRP) tube, for measuring range 1000–1500 mm
- The stationary measuring arm holder can be moved along the guide tube and clamped for coarse adjustment
- **Package contains:** instruction manual, mounting and resting blocks, wooden case, excludes indicator, without arms/attachments and anvils



### Application:

- External and internal measurement of lengths, widths, diameters, distances
- External and internal threads
- Centering shoulders, narrow collars, recesses and grooves
- External and internal tapers
- External and internal gears
- etc.



### TECHNICAL DATA

| Order no. | Product type | Application range |              | Measuring force | Travel of movable anvil | Product weight |
|-----------|--------------|-------------------|--------------|-----------------|-------------------------|----------------|
|           |              | outside<br>mm     | inside<br>mm |                 |                         |                |
| 4503001   | 844 T        | 0–85              | 30–115       | 5               | 12                      | 0.78           |
| 4503002   | 844 T        | 80–235            | 110–265      | 5               | 12                      | 1.01           |
| 4503003   | 844 T        | 230–585           | 260–615      | 5               | 12                      | 1.59           |
| 4503004   | 844 T        | 580–985           | 610–1015     | 5               | 12                      | 2.22           |
| 4503005   | 844 T        | 970–1470          | 1000–1500    | 10              | 12                      | 2.52           |
| 4503006   | 844 T        | 1470–1970         | 1500–2000    | 10              | 12                      | 2.68           |
| 4503007   | 844 T        | 1970–2470         | 2000–2500    | 10              | 12                      | 2.86           |
| 4503008   | 844 T        | 2470–2970         | 2500–3000    | 10              | 12                      | 3.26           |
| 4503009   | 844 T        | 2970–3470         | 3000–3500    | 10              | 12                      | 3.43           |
| 4503010   | 844 T        | 3470–3970         | 3500–4000    | 10              | 12                      | 3.62           |
| 4503011   | 844 T        | 3970–4470         | 4000–4500    | 10              | 12                      | 3.81           |

## Multimar 844 T

## Universal Measuring Instrument

## ACCESSORIES

| Order no. | Product name                                      | Quantity unit | Product type |
|-----------|---|---------------|--------------|
| 4311000   | Dial indicator, 0.01 mm, 10 mm                    |               | 810 S        |
| 4333000   | Millimess 5 $\mu\text{m}$ , $\pm 130 \mu\text{m}$ |               | 1004         |
| 4332000   | Millimess 0.01 mm, $\pm 0.25 \text{ mm}$          |               | 1010         |
| 4337662   | Digital indicator, 0.0005 mm, 12.5 mm             |               | 1087 BR      |
| 4337664   | Digital indicator, 0.0005 mm, 12.5 mm             |               | 1087 BRi     |
| 4503030   | Mounting attachment                               | Pair          | 844 Tma      |
| 4503031   | Mounting attachment                               | Pair          | 844 Tmi      |
| 4503024   | Measuring arms, 25 mm                             | Pair          | 844 Te       |
| 4503025   | Measuring arms, 35 mm                             | Pair          | 844 Te       |
| 4503026   | Measuring arms, 70 mm                             | Pair          | 844 Te       |
| 4503027   | Measuring arms, 100 mm                            | Pair          | 844 Te       |
| 4503040   | Mounting attachments offset by 90°, 50 mm         | Pair          | 844 Tms      |
| 4503041   | Mounting attachments offset by 90°, 100 mm        | Pair          | 844 Tms      |
| 4503109   | Depth stops for 844 Tma, 844 Tmi, 844 Te          | Pair          | 844 Tw       |
| 4503012   | Protection for indicator                          |               | 844 Tsb      |
| 4503020   | Case for accessories                              |               | 844 Tzb      |
| 4450512   | Stand   |               | 844 Tf       |



810 S



1004



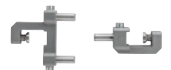
1087 BR



1087 BRi



844 Tma



844 Tw